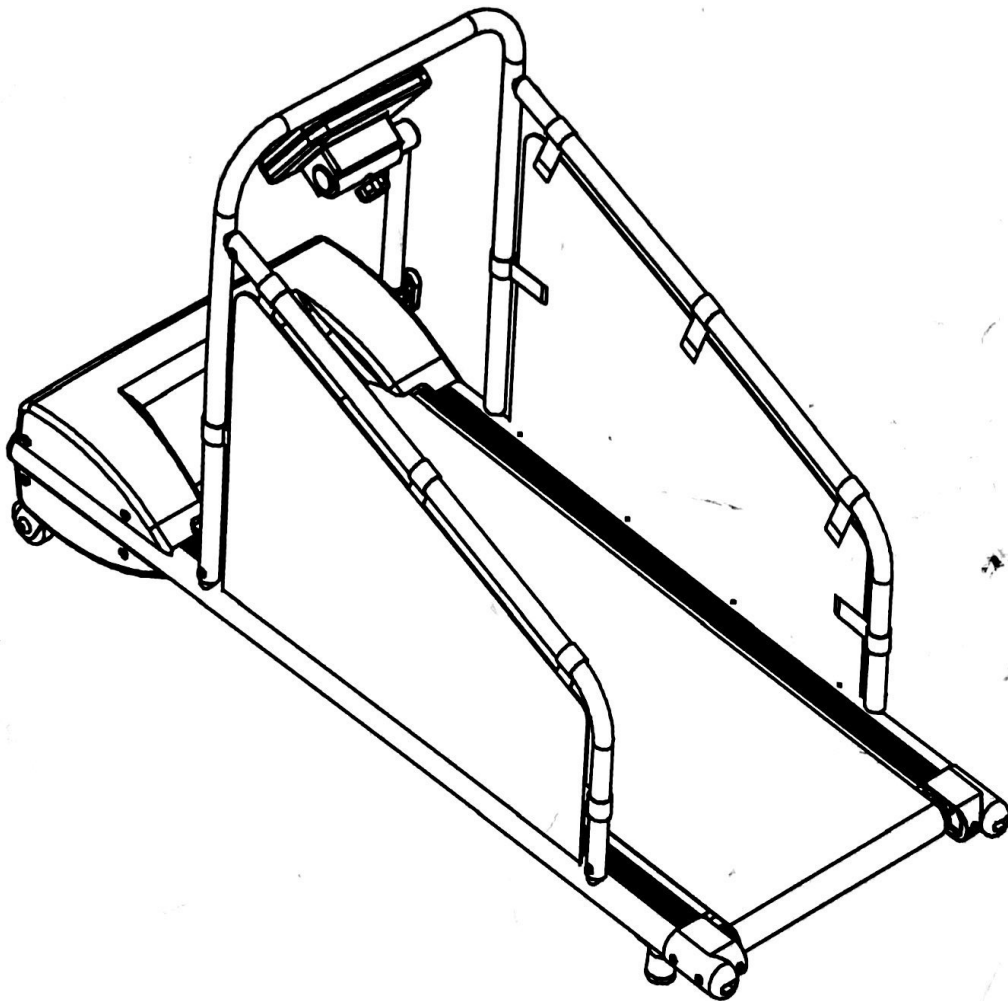


Petsite



USER'S MANUAL

Pet Treadmill

PS7444

CAUTION

To avoid injury please read this manual carefully before operating this machine.



- Never attempt to mount the treadmill while the running belt is moving.
- Never step off the treadmill while the running belt is moving.
- Never operate the treadmill if it is damaged or is not working as it should be.
- Do not overexert yourself or work to exhaustion. If you feel any pain or abnormal symptoms, stop your workout immediately and consult your doctor.
- Do not start the treadmill when it is in its folded position.
- Do not operate the treadmill in or around water / sources of heat & avoid placing the treadmill on thick carpet.
- Do not use outdoors. This product is to be used inside ONLY.
- Do not place any objects on the running belt or the treadmill itself.
- Never connect a live power cable to the treadmill. Please turn off the power supply and the On/Off switch on the back of this machine before connecting the power cable to the machine. Once safely connected you can switch on the power supply followed by the on/off switch on the back of the machine. Connecting a live cable directly into the back of the machine can damage the electrical components.
- Storing the treadmill in a cold damp room i.e. garage (with non consistent temperature) will increase the risk of damage to electrical components. We recommend that you store the machine in a dry room with constant temperature.

SAFETY NOTICE

- This machine is only suitable for small dog or medium-sized dog.
 - Use the treadmill only for its intended use as described in this manual.
 - Children, elderly users and pregnant women are advised not to use the treadmill.
 - Assemble and operate the treadmill on a solid, level surface. Locate the treadmill a few feet from walls or furniture. Check the unit before each use and verify that all fasteners are secure. Always maintain the treadmill in good working condition.
 - An error may occur due to unstable power. Do not share a power socket with other high-powered items such as computers or air conditioning units.
 - Take care when folding and unfolding the treadmill before and after use.
 - Do not attempt to service the treadmill yourself except for the maintenance tasks which are described in this manual. The treadmill does not contain any user-serviceable parts so disassembling it yourself will not only void your warranty but could result in serious injury.
- Keep both the machine and power cord away from heated surfaces.

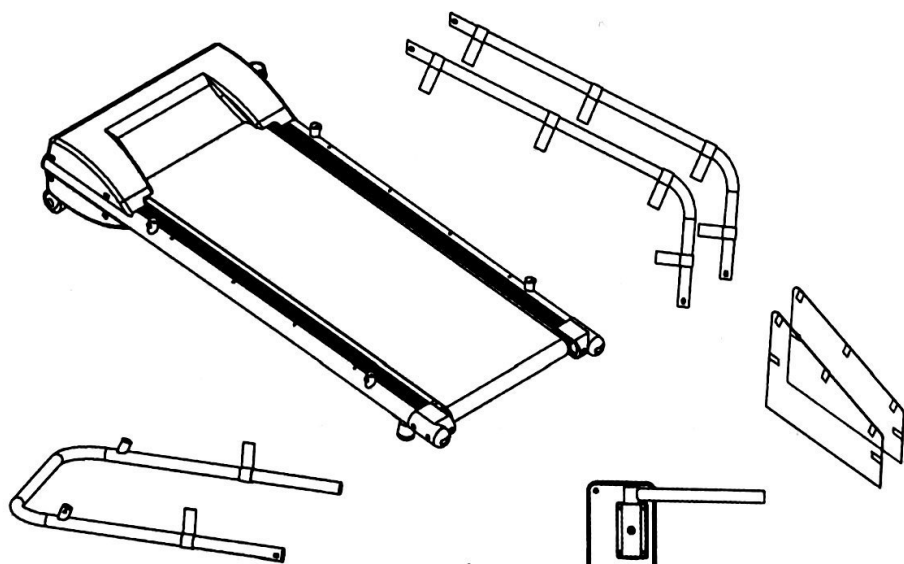
CAUTION DURING USE

- If your dog begin to feel unwell during use, stop immediately.
- Take care when adjusting the speed setting and increase or decrease steadily.
- The safety tether cord clip must be attached at Dog collar to starting a workout. The safety cord connects the security clip to the yellow button on the console. If you encounter any type of difficulty while using the treadmill, a strong tug on the safety key cord or a quick tap on the red **ON/OFF** button will stop the running belt.
- Please make sure the running belt is fastened before using.
- Do not adjust the belt while machine is turned on or being used.
- Please switch off all functions and disconnect from mains power supply after use.

TECHNICAL SPECIFICATION

Product name	Treadmill
Voltage	110V
Frequency	50-60Hz
Max Power	800W
Speed	0.5-7.5mph
Gross Weight	55.2lbs
Net Weight	47.5lbs
Maximum User Weight	200lbs

PRODUCT PARTS



T Knob



silicone oil



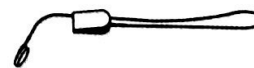
wrench



φ6 arc pad

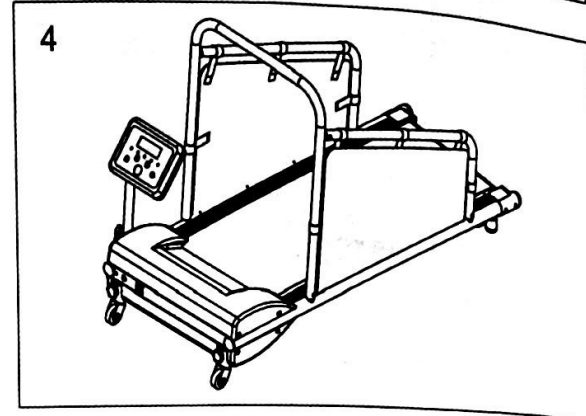
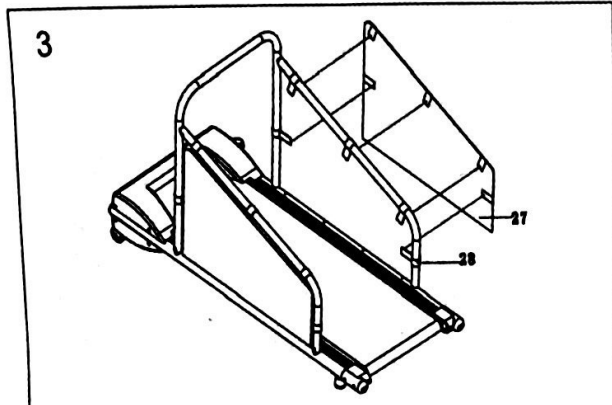
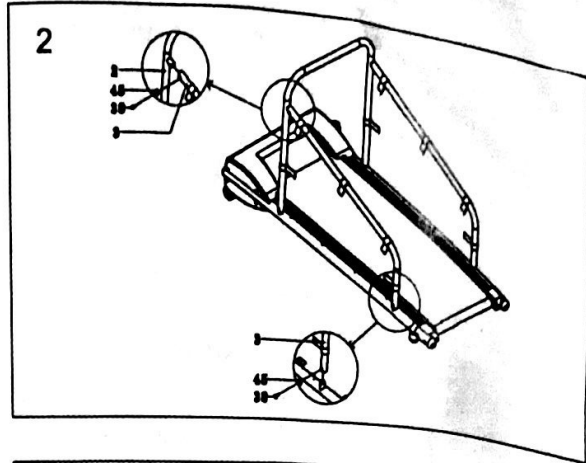
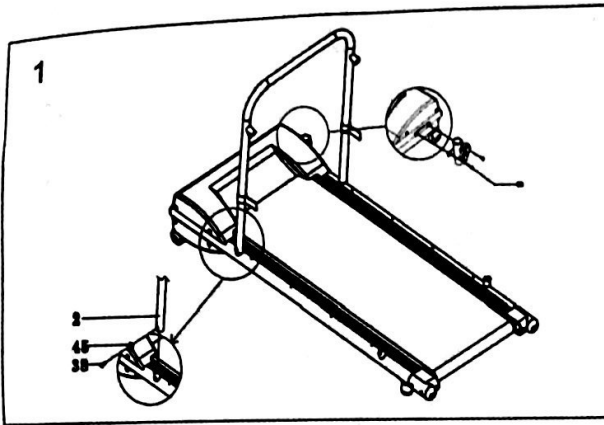


M6*16 screw



safety key

ASSEMBLY



Step 1: Assemble the front handle(See Fig 1) to base frame by M6*16 screws and curved screw pads.

Step 2: Assemble left and right side bar(See Fig 2) to side base frame by M6*16 screws and curved screw pads.

Step 3: Adjust the Velco(Hook and loop fasteners) on side bar to proper place(See Fig 3), then stick the Oxford cloth to side bars.

Step 4: Insert the panel shelf to front base frame(See Fig4), the use T shape knob to fix onto base frame. Then put safety key on panel. All assemble finished.

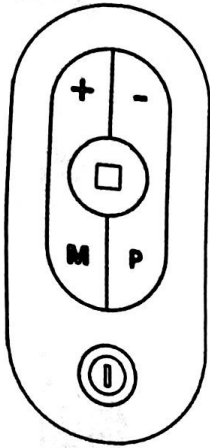
CONSOLE INSTRUCTON



1. Put red safety key on the yellow area of panel.
2. Press " ON/OFF " key, the machine will start by 1.0KM/H after 3 seconds.
3. Press " + " key for speed up and " - " key for speed down. The fastest speed is 7.5MPH and lowest is 0.5MPH
4. Press " Mode " key, the screen will show Speed, Time, Distance, Calorie. And the scan light will be lighted from Speed, Time, Distance, Calorie every 5 seconds.
5. Insert have 3 modes and 12 programs from " Mode ". When the machine stand by, press " Mode " can set Time, Distance and Calories for running. Also, there is P1-P12 programs, press "ON/OFF" to start the machine after set the programs.
6. Press "ON/OFF" key again for stop the machine after using.
7. For emergency stop, please pull out safety key. The machine will stop slowly. Pull out safety key the screen will show "Err", put on it will show "OFF".

Remote control operation

1. Function of the remote control



2.1 "start/stop" key: when in standby or countdown mode, press "start/stop" key to start the machine, the default speed is 0.5MPH. When choose the pre-set program, press "start/stop" key to start the machine, the speed will changes according to the pre-set speed. When in running state, press "start/stop" key the treadmill will stop slowly and back to standby state, keep pressing "start/stop" for 2 seconds, the machine will restart.

2.2 Speed "+" "-" :to adjust speed, speed will change by 0.1MPH, when keep pressing "+" "-" over 0.5 seconds, speed will keep increasing or decreasing.

2.3 "M" key: when in standby, press "M" key ,it can switch from different mode, including Time, Distance, Calories countdown. When in running, each click "M" key will switch display mode of multiple windows.

2.4 "P" key : when in standby, there is P01~P12 12 pre-set programs you can choose.

※REMARK: any valid press, the treadmills will make a sound "Bi"

2. Functional instruction

3.1 Sports Mode: Press start key to start the machine SPEED window will count from "3 2 1 0", default speed is 0.5mph, press "+" "-" to adjust speed.

3.2 Countdown Mode: when in standby, press "M" key to choose Time, Distance, Calories countdown

Press "+" "-" to set relevant data. After setting, press "start/stop" to start the treadmill, it will count down from the set data, when count to 0, the machine will stop by itself.

3.3 Pre-set Program (P01~P12): choose one program, then press "+" "-" to set the running time (time set cope 5:00~99:00, default time is 30:00), press "start/stop" to start the machine, it will run according to the pre-set speed, speed change according to the time " (Time/10) *60"

3.4 On the end of remote control, there is one key. Press the key, treadmill will stop immediately. It's function is the same as pull out the safety key.

USAGE OF SILICONE OIL

Lift up the running belt. Then put silicone oil straight on to the running board. Now start the machine and run for 3 minutes without any load on the belt (i.e. do not stand on the machine). We recommend that you oil the belt every 30 working hours.

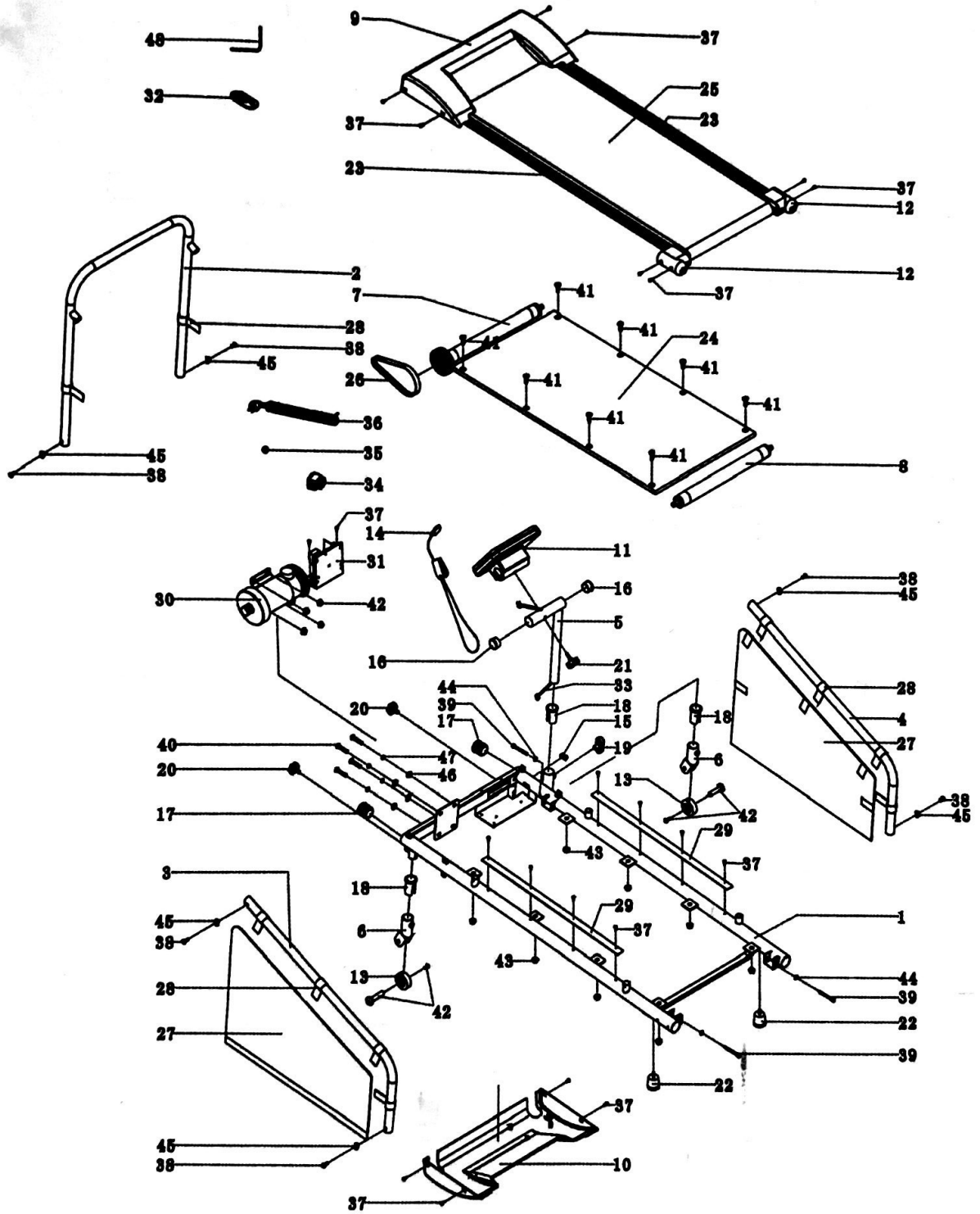


Regular maintenance will prolong the life of your treadmill and prevent injury!

We strongly recommend that you do the following:

1. Switch Off and remove the power cable from the wall after every use, especially if children are present.
2. Clean your treadmill after use.
3. Use a dry cloth to clean the control panel and areas around the power switch. Use a soft clean cloth and cleanser to remove stubborn stains and dirt off the running belt.
4. Tighten the running belt once a month.
5. Keep your treadmill in a safe dry place away from heat and water.

Overview Drawing



Parts List

Serial No.	Parts name	Specs	Qty
1	Base frame steel tubes	Q235	1
2	Front handle	Q235	1
3	Left side bar	Q235	1
4	Right side bar	Q235	1
5	Panel shelf	Q235	1
6	Incline adjust tube	Q235	2
7	Front roll	φ 38	1
8	Back roll	φ 38	1
9	Motor up cover	ABS	1
10	Motor Bottom cover	ABS	1
11	Panel		1
12	Left and right end-cap	ABS	2
13	Wheel	φ 8. 1* φ 50*T22-PU	2
14	Safety key	ABS、 RED	1
15	Wire fasten plug	PVC, Oval	1
16	Tube plug	φ 32*T1. 2、 ABS	2
17	Tube plug	φ 38-ABS.	2
18	Incline tube casing		3
19	Panel shelf tube casing	M12*15	1
20	Incline adjust Knob	M8*40	2
21	Fix knob	M8*40	1
22	Pad	φ 38*28-PVC	2
23	Side rail	875*35*2mm	2
24	Running board	870*432*12mm	1

25	Running belt	2060*360*1.4	1
26	Strap	140J4)	1
27	Oxford cloth		2
28	Velco	25*150	10
29	Velco	25*610	2
30	motor	110V	1
31	Control board		1
32	Remote control		1
33	cable		1
34	Switch with lamp		1
35	Power cord plug		1
36	Power cord	2000	1
37	Screws	ST4.2*16	22
38	Screws	M6*16	6
39	Screws	M6*45	3
40	Screws	M8*25	4
41	Screws	M8*25	8
42	Screws	M6*30	2
43	Nut	M8	12
44	Screw pad	$\phi 6 * \phi 14 * 1$	3
45	Curved pad	$\phi 6 * \phi 14 * 1$	6
46	pad	$\phi 8 * \phi 22 * 1.5$	4
47	Spring pad	$\phi 8$	4
48	L shape wrench	70*90	1



TIPS:

**Your suggestions and comments for Costway are really important to us!
We sincerely solicit you to go back to our shop and leave a good rating in just a simple click. It would be quite encouraging if you could kindly do so like below:**

★★★★★ Great products so far

February 24, 2018

Great product so far. Fast delivery, easy setup, and working without any issues.

**With your inspiring rating, Costway will be more consistent to offer you
EASY SHOPPING EXPERIENCE, GOOD PRODUCTS and EFFICIENT SERVICE!**

US office:Fontana

UK office:Ipswich

Petsite

